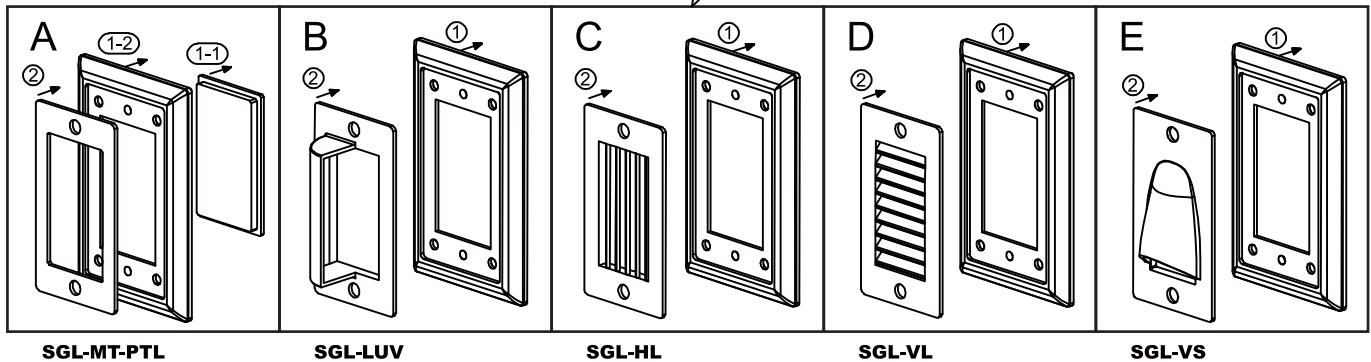
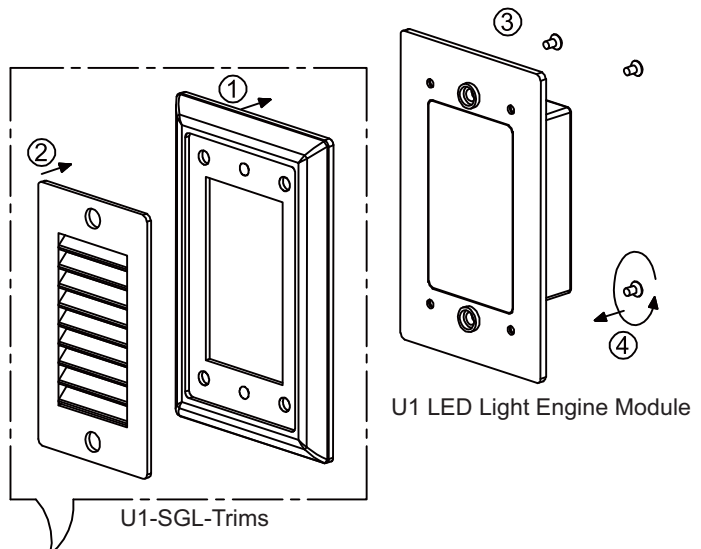


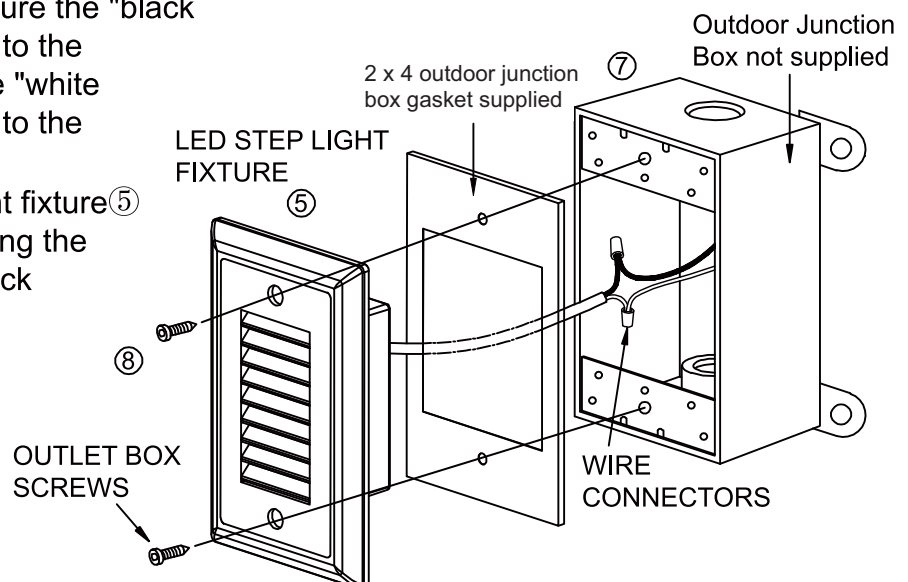
INSTALLATION INSTRUCTIONS

Model:U1-SLG series

- 1) Fix Trim Plate②to the Face plate holder①;
- 2) Fix the Trim Plate①to the LED Light engine housing③,using the Supplied screws④To secure LED Light engine housing③;From the back as shown on drawing with supplied screws.
- 3) Now,you should have Trim plate+Face plate+LED light engine all in one piece⑤;



- 4) Connect the LED Step light fixture's 7" 18AWG leads (Black is hot,White is neutral/common) to the electrical outlet box ⑦(Not supplied) wire leads using the wire connectors provided in your screws pack as per the diagram.Make sure the "black lead" from the fixture goes to the "black supply lead",and the "white lead" from the fixture goes to the "white supply lead";
- 4) To fasten LED Step Light fixture⑤ onto the junction box⑦,using the junction box screws⑧To lock down and secure.



CAUTION:ALL ELECTRICAL CONNECTIONS MUST BE IN ACCORDANCE WITH LOCAL CODES, ORDINANCES AND THE NEC CODE.IF YOU ARE UNFAMILIAR WITH METHODS OF INSTALLING ELECTRIC WIRING, CONSULT A QUALIFIED LICENSED ELECTRICIAN.