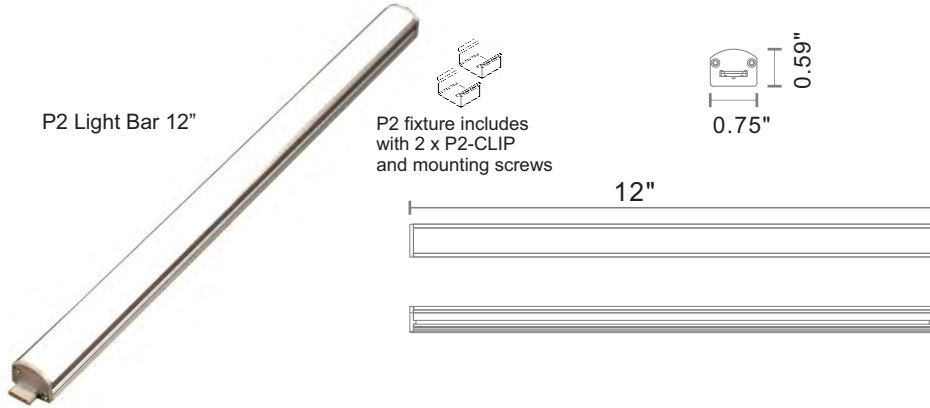
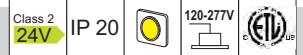


# P2 SERIES Light Bar



Catalog No. \_\_\_\_\_

Date \_\_\_\_\_

Type \_\_\_\_\_

Project \_\_\_\_\_



P2-CLIP Flat Mount (included)



P2-CLIP 45 Degree



P2-CLIP SM 0-90 Degree



P2-PWR Powerfeed



P2-Flex Jumper

## P2 Series LED Linear Strip

is available in **Standard** and **High Output** Lumens and 2 Color Temperatures, **3000K** and **4000K**  
**12" Length** and **Silver Finish**.

- P2-300-5-24-830 4.8W, Standard Output, 280lm, 3000K
- P2-300-5-24-840 4.8W, Standard Output, 280lm, 4000K
- P2-300-7-24-830 7.2W, High Output, 420lm, 3000K
- P2-300-7-24-840 7.2W, High Output, 420lm, 4000K

### Description

P2 series LED Light bar is a 24V interlocking rigid cove light. It produces even illumination from a 12 inch length and 3/4" by 5/8" profile. Optional 90 degree swivel mounts for versatility. Dimmable driver specified separately. 12" powerfeed and 12" jumper connector are also available. Max 20 ft run or 40 ft (20 ft off each powerfeed) with center feed from same driver. 3000K or 4000K, 280 lumens and 420 lumens with 80+ CRI. ETL listed for USA & Canada.

### Technical Specs

- 4.8W, 24V DC constant voltage input, 280 lumen
- 7.2W, 24V DC constant voltage input, 420 lumen
- Dimmable (with Dimming Driver) **See JCLD driver Spec sheet**
- Specify Driver separately
- 12" length linkable aluminum housing interlink system
- Included: flat mounting clip & interconnection

### LED Performance

- LED:** 2835
- SDCM:** 3 Step Macadam Elipse
- CCT:** 3000K, 4000K
- CRI:** >80 Typically 83 (Optional 90+ CRI is available)
- LIFE:** 70% of initial lumens after 50,000 hrs
- Warranty:** 5 Year Limited Fixture Warranty

### Ordering Codes

Follow the steps to specify your fixture. To order a 12" in 3000K

example:

Ordering Code	
P2-PWR	Powerfeed
P2-FLEX	Flexible jumper connector
P2-CLIP	0° fixed mounting clips
P2-CLIP45	45° swivel mounting clips
P2-CLIPSM	90° swivel mounting clips

① <b>Base Code</b>	② <b>Code Length</b>	③ <b>Lumen Output</b>	④ <b>Code CRI.</b>	⑤ <b>Code Temperature</b>
P2	<input type="text" value="300"/> 12 inch	<input type="text" value="5-24"/> STD <input type="text" value="7-24"/> HO	<input type="text" value="8"/> 80+	<input type="text" value="30"/> 3000K <input type="text" value="40"/> 4000K